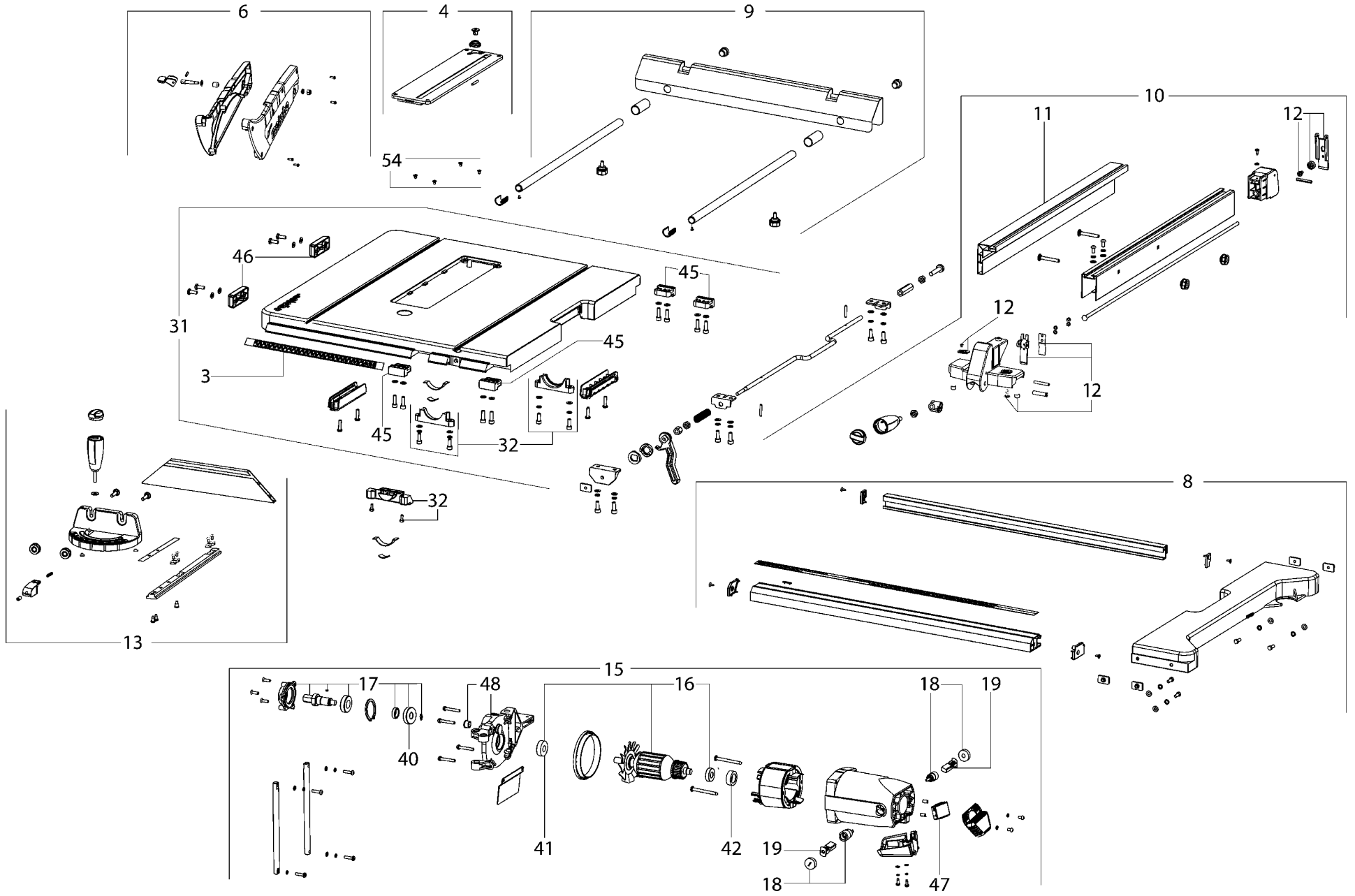
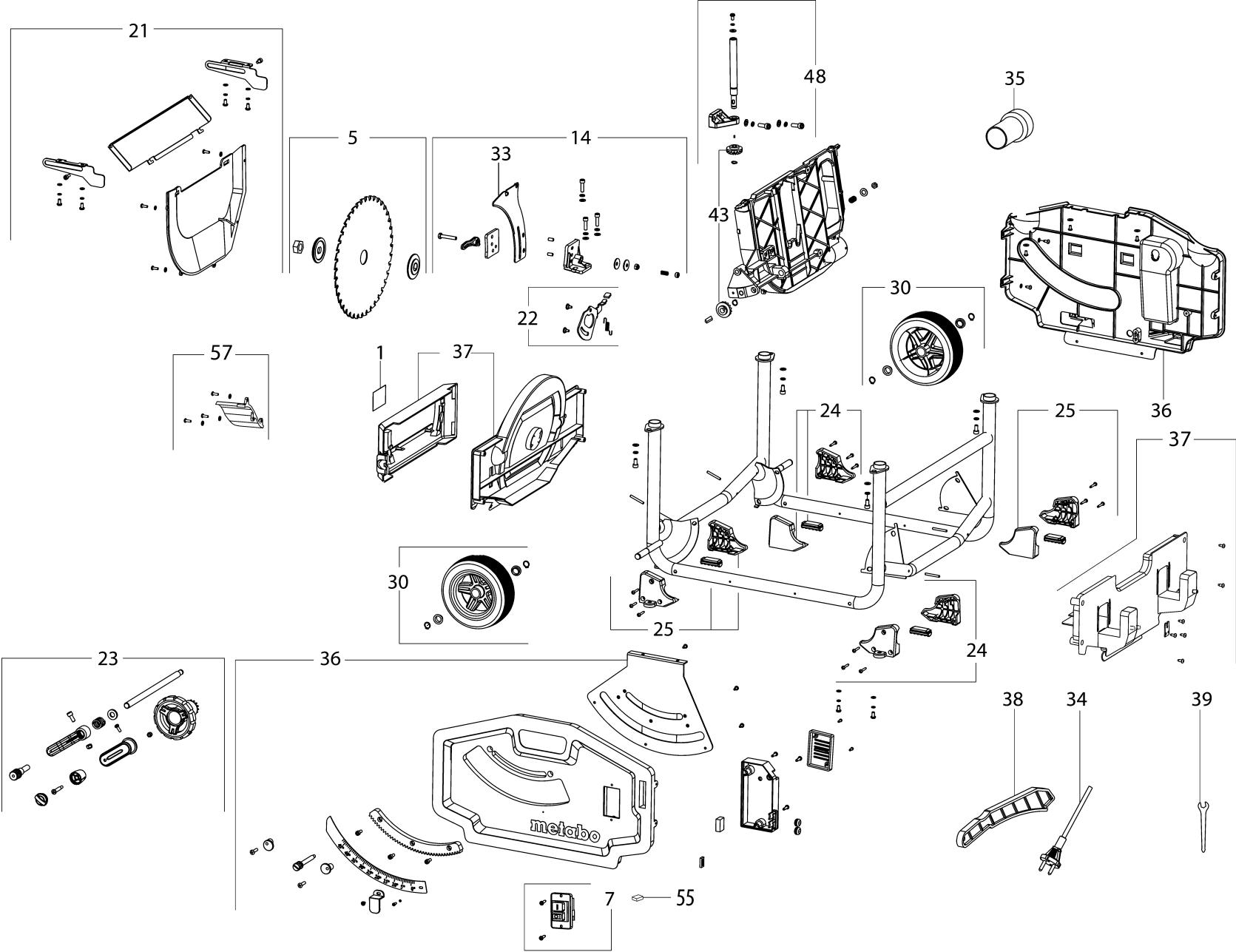
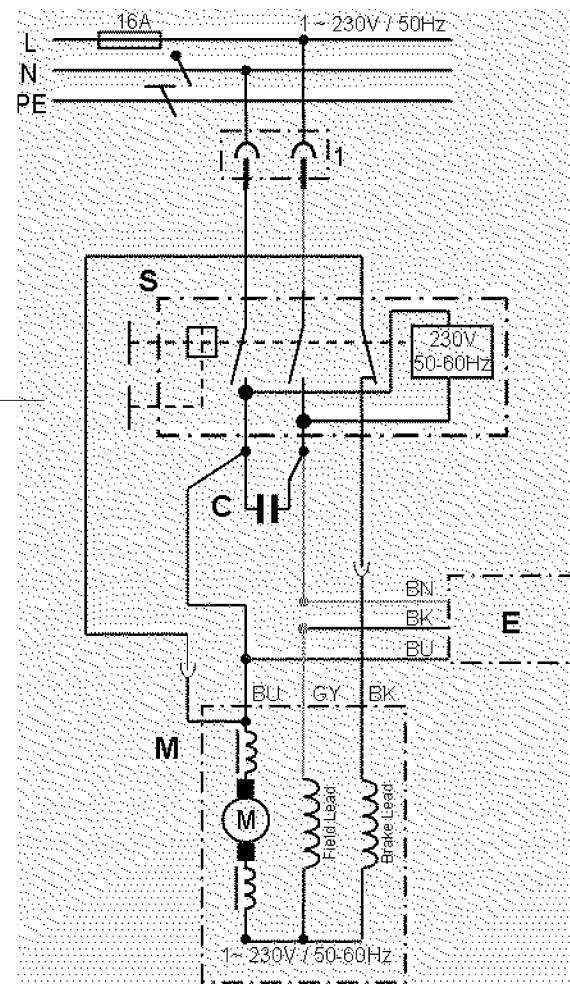
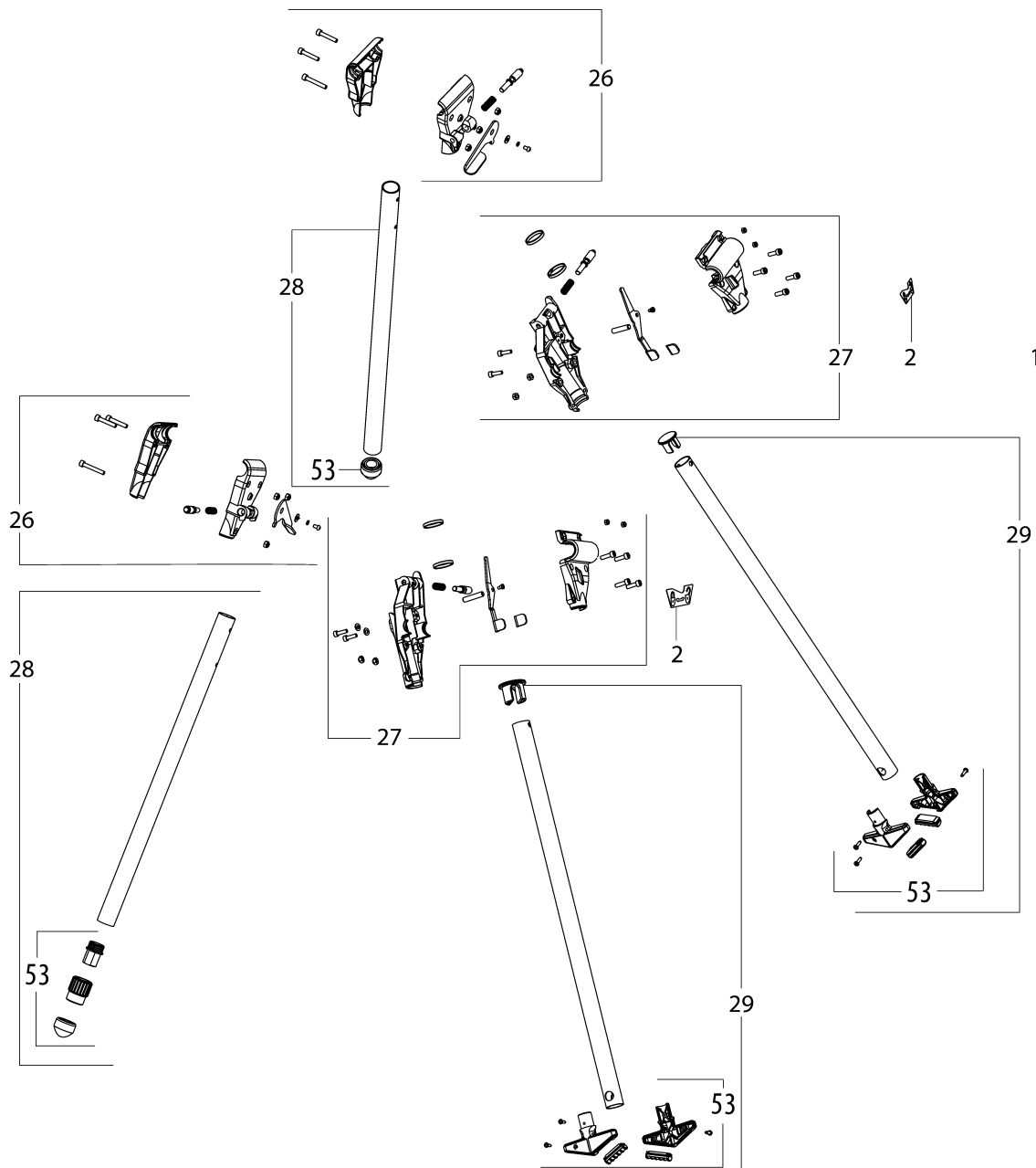


	Bedeutung der Kurzzeichen	Meaning of the symbols
C	Kondensator	capacitor
E	Elektronik-Baustein	Electronic unit
M	Motor	Motor
S	Schalter	Switch
BK	Schwarz	Black
BN	Braun	Brown
BU	Blau	Blue
GY	Grau	Grey







	Bedeutung der Kurzzeichen	Meaning of the symbols
C	Kondensator	capacitor
E	Elektronik-Baustein	Electronic unit
M	Motor	Motor
S	Schalter	Switch
BK	Schwarz	Black
BN	Braun	Brown
BU	Blau	Blue
GY	Grau	Grey

Pos.	Part No.	Description	Quant.
1	338069620	Rating plate	1
2	338123720	Hinweisschild Funktionserklaerung Lock	1
3	338123670	Scale	1
4	316052410	Table insert compl.	1
5	316052420	BLADE COLLAR	1
6	316096420	Wheel guard compl.	1
7	343409960	Switch	1
8	315418220	Table side extension compl.	1
9	316097080	Table extension compl.	1
10	316052450	Parallel guide compl.	1
11	341161460	Guide rail	1
12	331054730	Parallel guide (Lever ass'y)	1
13	316052460	Angular guide compl.	1
14	316097110	Riving knife compl.	1
15	316052480	Motor compl.	1
16	310010690	Armature w. Ball bearing	1
17	316052490	Gear-box compl.	1
18	343001190	Brush holder	2
19	343013100	Carbon brush set	1
21	343433170	Saw blade cover lower	1
22	316052510	Spindle stop compl.	1
23	316052520	Handwheel compl.	1
24	344099440	Rubber foot right	1
25	344099450	Rubber foot left	1
26	316052530	JOINT ARM left, cpl.	1
27	316052540	JOINT ARM right, cpl.	1
28	344099460	leg adjustable	2
29	316052570	Leg cpl.	1

TS 254 / 00668001 / TV 00 / EU 230V

Pos.	Part No.	Description	Quant.
30	316052580	Wheel compl.	1
31	316052590	Table compl.	1
32	316052600	Guide Swivelling frame compl.	1
33	339149100	Riving knife	1
34	344499230	Cable with plug	1
35	316096870	Exhaust nozzle compl.	1
36	316052620	Housing compl.	1
37	316052630	Saw blade depot	1
38	343433180	Push stick	1
39	341210480	Key	1
40	340033540	Bevel gear	1
41	320050750	Ball bearing	1
42	320050760	Ball bearing	1
43	340033550	Bevel gear set	1
45	316054750	GLIDE PIECE cpl.	1
46	343431310	Base	1
47	343083300	Electronic unit	1
48	316097300	Gear flange compl.	1
53	316097240	Foot compl.	1
54	141112210	Countersunk screw	4
57	344113800	CHIP GUIDE	1
1001	338505650	Wiring Diagram	1

Pos.	Part No.	Description	Quant.
1	338057640	Rating plate	1
2	338123720	Hinweisschild Funktionserklaerung Lock	1
3	338123670	Scale	1
4	316052410	Table insert compl.	1
5	316052420	BLADE COLLAR	1
6	316052430	Wheel guard compl.	1
7	343409960	Switch	1
8	315418220	Table side extension compl.	1
9	316052440	Table extension compl.	1
10	316052450	Parallel guide compl.	1
11	341161460	Guide rail	1
12	331050830	Parallel guide (Lever ass'y)	1
13	316052460	Angular guide compl.	1
14	316097110	Riving knife compl.	1
15	316052480	Motor compl.	1
16	310010690	Armature w. Ball bearing	1
17	316052490	Gear-box compl.	1
18	343001190	Brush holder	2
19	343013100	Carbon brush set	1
21	343433170	Saw blade cover lower	1
22	316052510	Spindle stop compl.	1
23	316052520	Handwheel compl.	1
24	344099440	Rubber foot right	1
25	344099450	Rubber foot left	1
26	316052530	JOINT ARM left, cpl.	1
27	316052540	JOINT ARM right, cpl.	1
28	344099460	leg adjustable	2
29	316052570	Leg cpl.	1

Pos.	Part No.	Description	Quant.
30	316052580	Wheel compl.	1
31	316052590	Table compl.	1
32	316052600	Guide Swivelling frame compl.	1
34	344499230	Cable with plug	1
35	316052610	Exhaust nozzle compl.	1
36	316052620	Housing compl.	1
37	316052630	Saw blade depot	1
38	343433180	Push stick	1
39	341210480	Key	1
40	340033540	Bevel gear	1
41	320050750	Ball bearing	1
42	320050760	Ball bearing	1
43	340033550	Bevel gear set	1
44	344099620	Suction hose	1
45	316054750	GLIDE PIECE cpl.	1
46	343431310	Base	1
47	343083300	Electronic unit	1
48	316097300	Gear flange compl.	1
53	316097240	Foot compl.	1
54	141112210	Countersunk screw	4
55	8050734103	Condenser	1
1001	338505650	Wiring Diagram	1